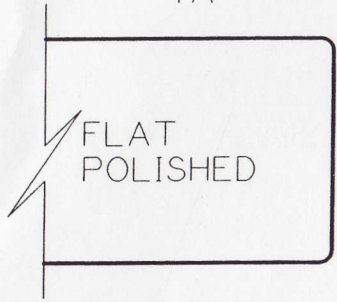


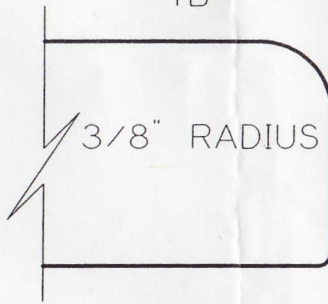
GRANITE/QUARTZ EDGE PROFILES 1-3/16" THICK

1A



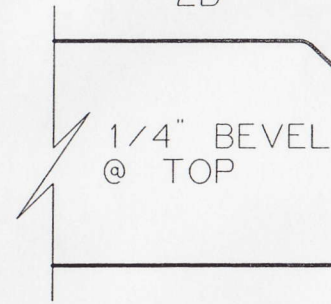
INITIALS _____

1B



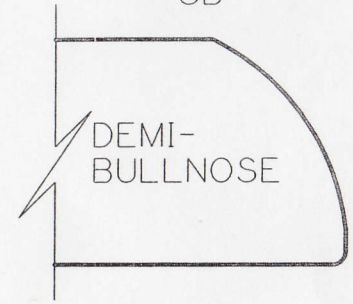
INITIALS _____

2B



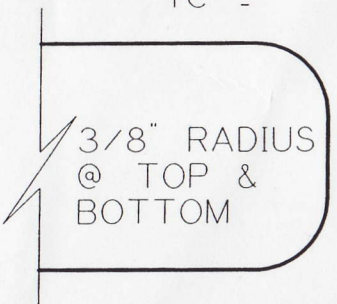
INITIALS _____

3B



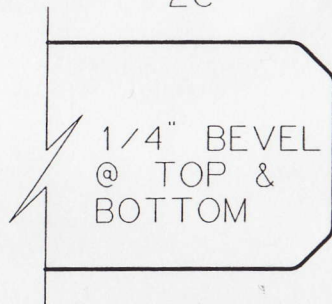
INITIALS _____

1C



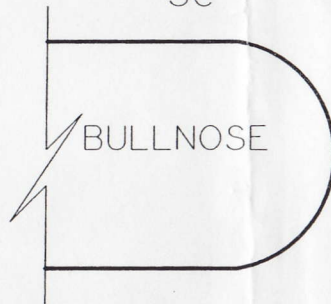
INITIALS _____

2C



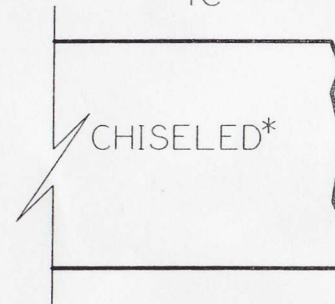
INITIALS _____

3C



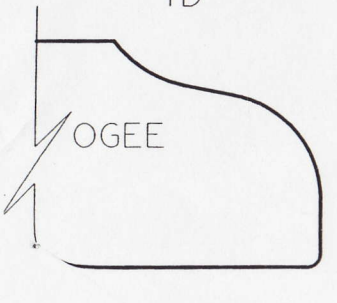
INITIALS _____

4C



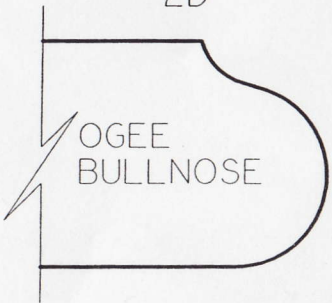
INITIALS _____

1D



INITIALS _____

2D



INITIALS _____

"FLAT POLISHED" IS STANDARD. "B", "C" & "D" EDGE PROFILES AVAILABLE AT ADDITIONAL COST

*CHISELED EDGE PROFILE IS AVAILBLE WITH GRANITE ONLY